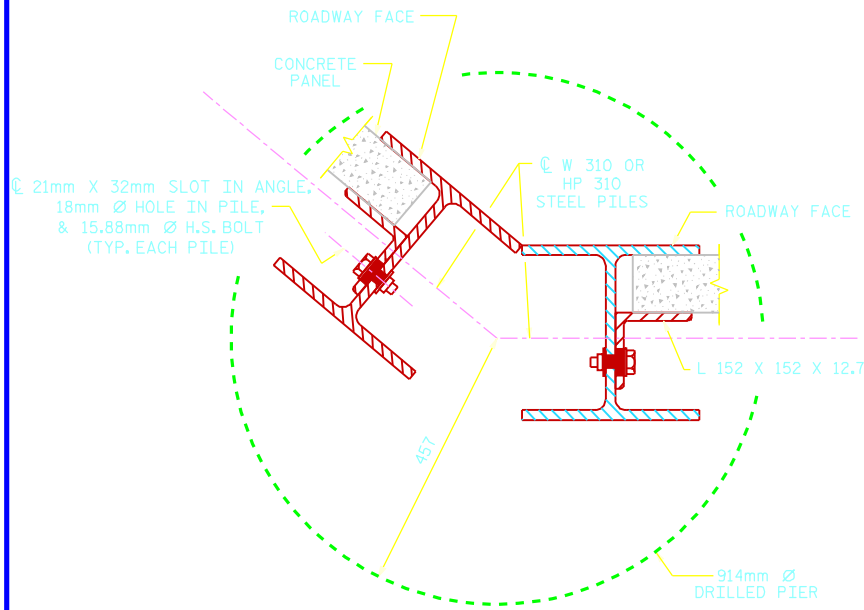
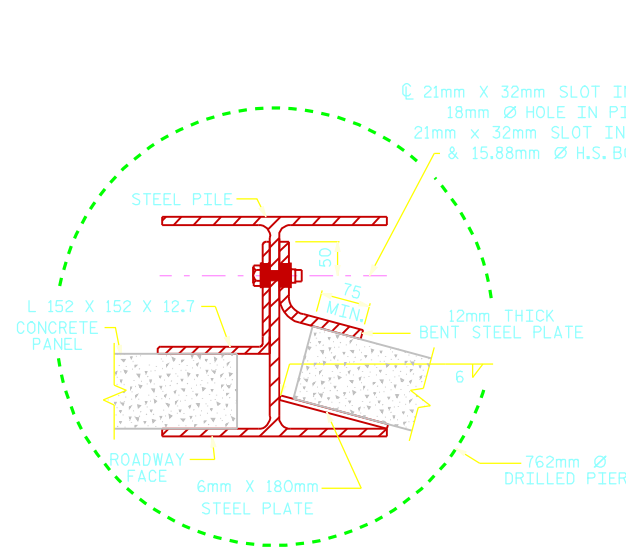


BILL OF MATERIAL	
SOUND BARRIER WALL	SO. M.
QUANTITIES PROVIDED ARE APPROXIMATE AND ARE FOR BID PURPOSES ONLY.	



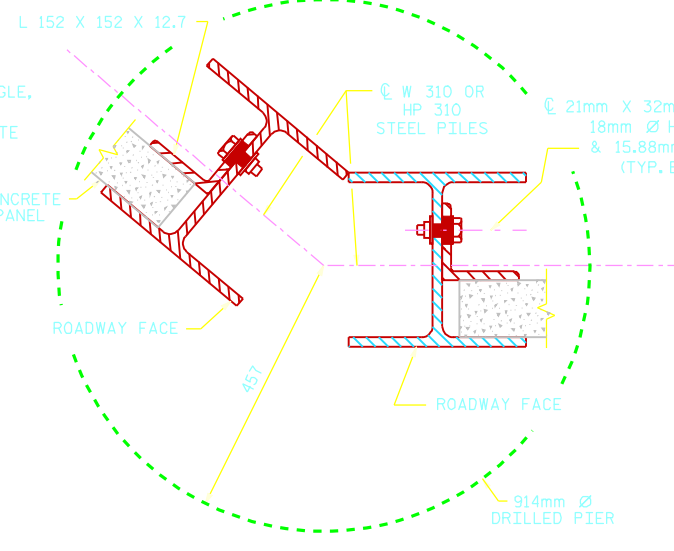
**TYPICAL WALL TURN DETAIL**

(FOR GREATER THAN 15° TURNS, CONCAVE TOWARD ROADWAY)



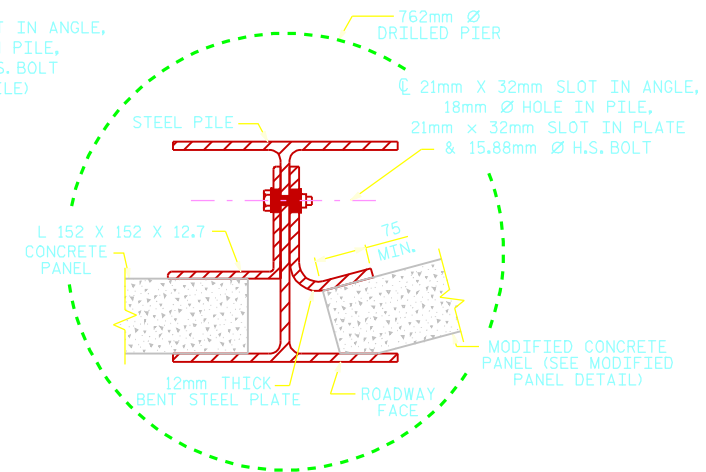
**TYPICAL WALL TURN DETAIL**

(USE ONLY FOR TURNS 15° OR LESS, CONCAVE TOWARD ROADWAY)



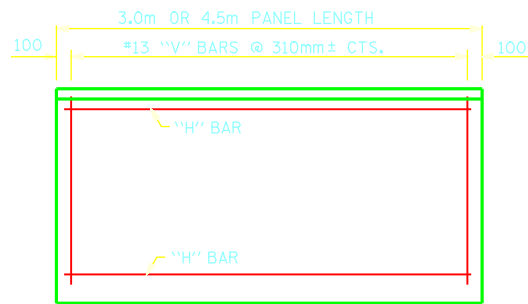
**TYPICAL WALL TURN DETAIL**

(FOR GREATER THAN 15° TURNS, CONVEX TOWARD ROADWAY)

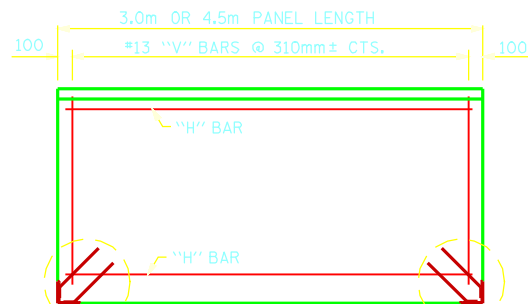


**TYPICAL WALL TURN DETAIL**

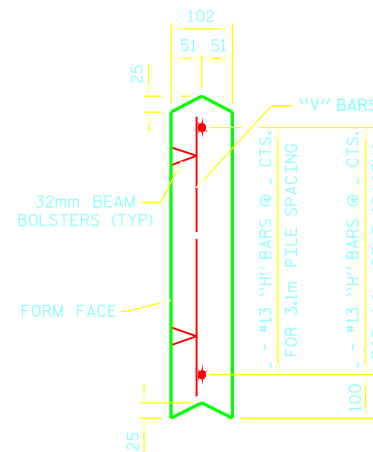
(USE ONLY FOR TURNS 15° OR LESS, CONVEX TOWARD ROADWAY)



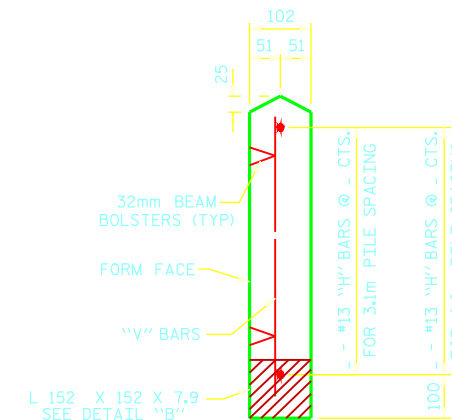
**FRONT ELEVATION OF UPPER PRECAST PANELS**



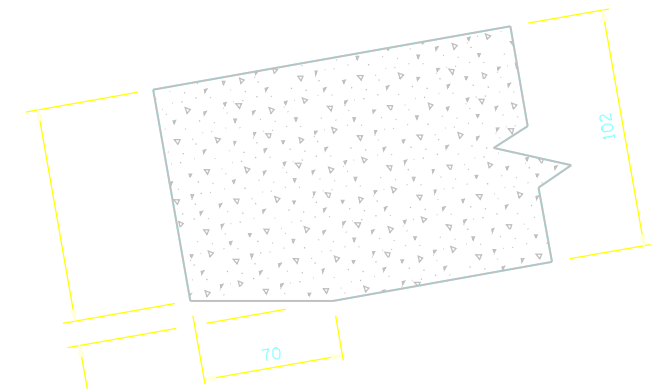
**FRONT ELEVATION OF BOTTOM PRECAST PANEL**



**UPPER PANEL**



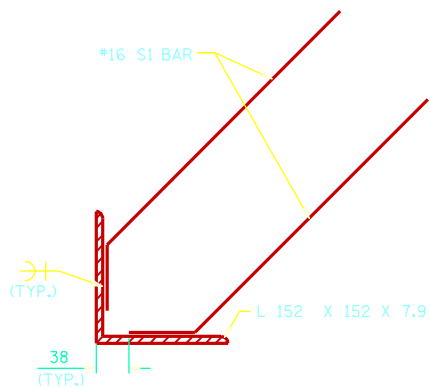
**BOTTOM PANEL**



**MODIFIED PANEL DETAIL**

(USE ONLY FOR TURNS 15° OR LESS, CONVEX TOWARD ROADWAY)

**SECTION THROUGH PRECAST PANELS**



**DETAIL "B"**

ADDITIONAL BARS FOR ONE BOTTOM PANEL					
NO.	BAR SIZE	TYPE	LENGTH	WEIGHT (kg)	
4	S1	#16	1	460	3

BAR TYPE	
①	

QUANTITIES FOR ONE PRECAST PANEL (FOR 3.1m PILE SPACING)													
PANEL HEIGHT	CLASS AA CONCRETE	BAR TYPES											
		HORIZONTAL						VERTICAL					
		C.M.	NO.	BAR SIZE	TYPE	LENGTH	WEIGHT (kg)	NO.	BAR SIZE	TYPE	LENGTH	WEIGHT (kg)	
610	0.19	3	H1	#13	STR	2900	9	10	V1	#13	STR	500	5
910	0.28	4	H2	#13	STR	2900	12	10	V2	#13	STR	800	8
1220	0.37	5	H3	#13	STR	2900	14	10	V3	#13	STR	1120	11

QUANTITIES FOR ONE PRECAST PANEL (FOR 4.6m PILE SPACING)													
PANEL HEIGHT	CLASS AA CONCRETE	BAR TYPES											
		HORIZONTAL						VERTICAL					
		C.M.	NO.	BAR SIZE	TYPE	LENGTH	WEIGHT (kg)	NO.	BAR SIZE	TYPE	LENGTH	WEIGHT (kg)	
910	0.42		H1	#13	STR	4400	15	V1	#13	STR	800	12	
1220	0.56		H2	#13	STR	4400	15	V2	#13	STR	1120	17	
1520	0.70		H3	#13	STR	4400	15	V3	#13	STR	1420	21	
1830	0.84		H4	#13	STR	4400	15	V4	#13	STR	1720	26	

PROJECT NO. \_\_\_\_\_

COUNTY \_\_\_\_\_

STATION: \_\_\_\_\_

SHEET OF \_\_\_\_\_

STATE OF NORTH CAROLINA DEPARTMENT OF TRANSPORTATION RALEIGH					
STANDARD SOUND BARRIER WALL DETAILS					
REVISIONS					SHEET NO.
NO.	BY:	DATE:	NO.	BY:	DATE:
1			3		
2			4		
					TOTAL SHEETS

ASSEMBLED BY :	DATE :
CHECKED BY :	DATE :
DRAWN BY : JAD 5/01	REV. 7/10/01
CHECKED BY : RDR 5/01	REV. 5/7/03
	REV. 5/1/06
	RWW/LES
	RWW/JTE
	TLA/GM